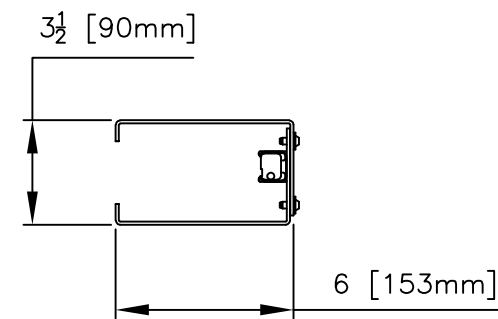
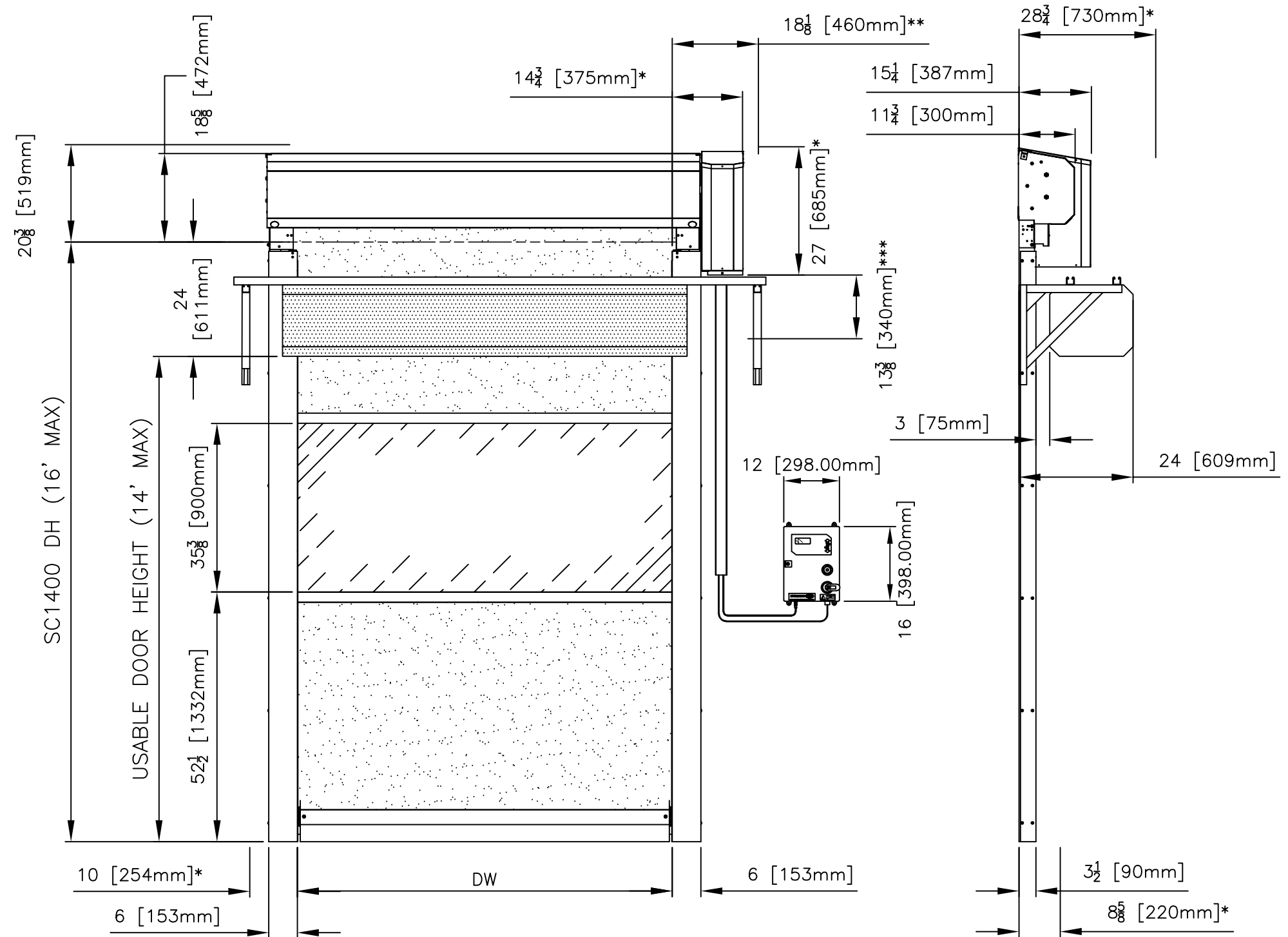


MODEL: SC1400SEL_19 COOLMASTER						
CUSTOMER: -						
ADDRESS: -						
CITY & STATE: -						
JOB: -						
LOCATION: -						
COMPANY: -						
SIZE: DW=	DH=					
MOTOR LOCATION: RIGHT	LEFT					
CONTROL BOX LOCATION: RIGHT	LEFT					
VOLTAGE: 208V	230-240V	480V	575V			
PANEL: GRAY FOAM						
VISION AREA: CLEAR PVC				NONE		
AIR CURTAIN TYPE HEATED				BLOWER ONLY		
NOTE: AIR CURTAIN REQUIRES SEPARATE POWER SOURCE						
VOLTAGE: 208V				230-240V	480V	575V
INTERLOCK YES				NO		
TEMPERATURE: INSIDE				OUTSIDE		
BRACKETS STRUT				OTHER		
NOTE: 24" EXTENSION EACH END (FIELD CUT TO FIT)						
OPTIONS:						
3 BUTTON PUSH STATION				-		
INDUCTION LOOP				-		
MOTION DETECTOR				-		
NOTES:						



TRACK DETAIL



ALL DIMENSIONS ARE IN INCHES [MILLIMETERS].
 * FITTING CLEARANCE.
 ** SPACE NEEDED TO FIT AND DISMANTLE OPERATOR.
 *** SPACE REQUIRED FOR CRANK HANDLE.
 CONTROL BOX PROJECTION IS 6 INCHES.
 DRAWING SHOWN RIGHT HAND, LEFT HAND OPPOSITE.

1.) STEP DOWN TRANSFORMER SUPPLIED FOR VOLTAGES OVER 480VAC.

WE RESERVE THE RIGHT TO CHANGE SPECIFICATIONS WITHOUT NOTICE

SUGGESTED ARRANGEMENT OF SC1400 COOLMASTER WITH AIR CURTAIN. ACTUAL ARRANGEMENT WILL VARY DEPENDING ON SIZES OF DOOR AND AIR CURTAIN AS WELL AS ANY SITE SPECIFIC CONCERNS.

HÖRMANN

117 STARPOINTE BOULEVARD
 BURGETTSTOWN, PA 15021-9506
 PH: +1 (800) 365-3667 FAX: 724.385.9151
 www.hormann.us

TITLE: HIGH PERFORMANCE DOOR SPECIFICATIONS		
MODEL: SC1400SEL_19 COOLMASTER	PART #:	
DRAWING #:	PAPER SIZE:	
PAGE:	SCALE:	
QTY:	ENGINEER: GJB	DRAWN: 3/19/2021