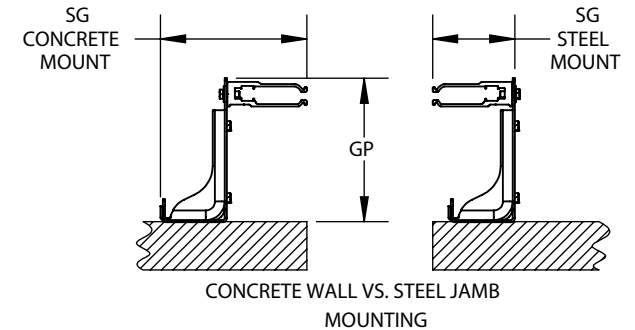


DOOR DIMENSIONS		
OW	OPENING WIDTH	
OH	OPENING HEIGHT	
SL	SIDEROOM LEFT	9.5"
SR	SIDEROOM RIGHT	9.5"
SO	SIDEROOM OPERATOR	10"
SG	SIDEROOM GUIDE (CONCRETE/STEEL)	9.25 / 5.25"
H	HEADROOM (O.H > 17' 0" / O.H. <= 17' 0")	37 / 32.5"
HO	HEADROOM OPERATOR (O.H > 17' 0" / O.H. <= 17' 0")	40 / 35.5"
P	PROJECTION HEADER (O.H > 17' 0" / O.H. <= 17' 0")	34.5"
PO	PROJECTION OPERATOR	42.75"
GP	GUIDE PROJECTION	....
PP	PROJECTION PHOTOCCELL (OPTIONAL)	16.5"
W1xH1xD1	CONTROL PANEL	n/a
W2xH2xD2	TRANSFORMER	n/a
OPTIONAL HOOD DIMENSIONS		
SLH	SIDEROOM LEFT HOOD	14"
SRH	SIDEROOM RIGHT HOOD	12"
HH	HEADROOM HOOD (O.H > 17' 0" / O.H. <= 17' 0")	44.25 / 39.75"
PH	PROJECTION HOOD	46.5"



Interior Mount On External Wall  
LEFT HAND DOOR SHOWN

<b>HÖRMANN</b>	<b>TNR DOORS INC.</b>
DRAWING NUMBER: D-600-0159 - REL	HD SERIES
DOOR MODEL: HDSO_3020	Chain Drive Economy Spring Door
END USER:	
DEALER:	
DOOR SIZE:	
DW REFERENCE #:	