

Instructions For Installation, Operating and Maintenance

Speed-Master® 2600 L Sloped Metal Hood

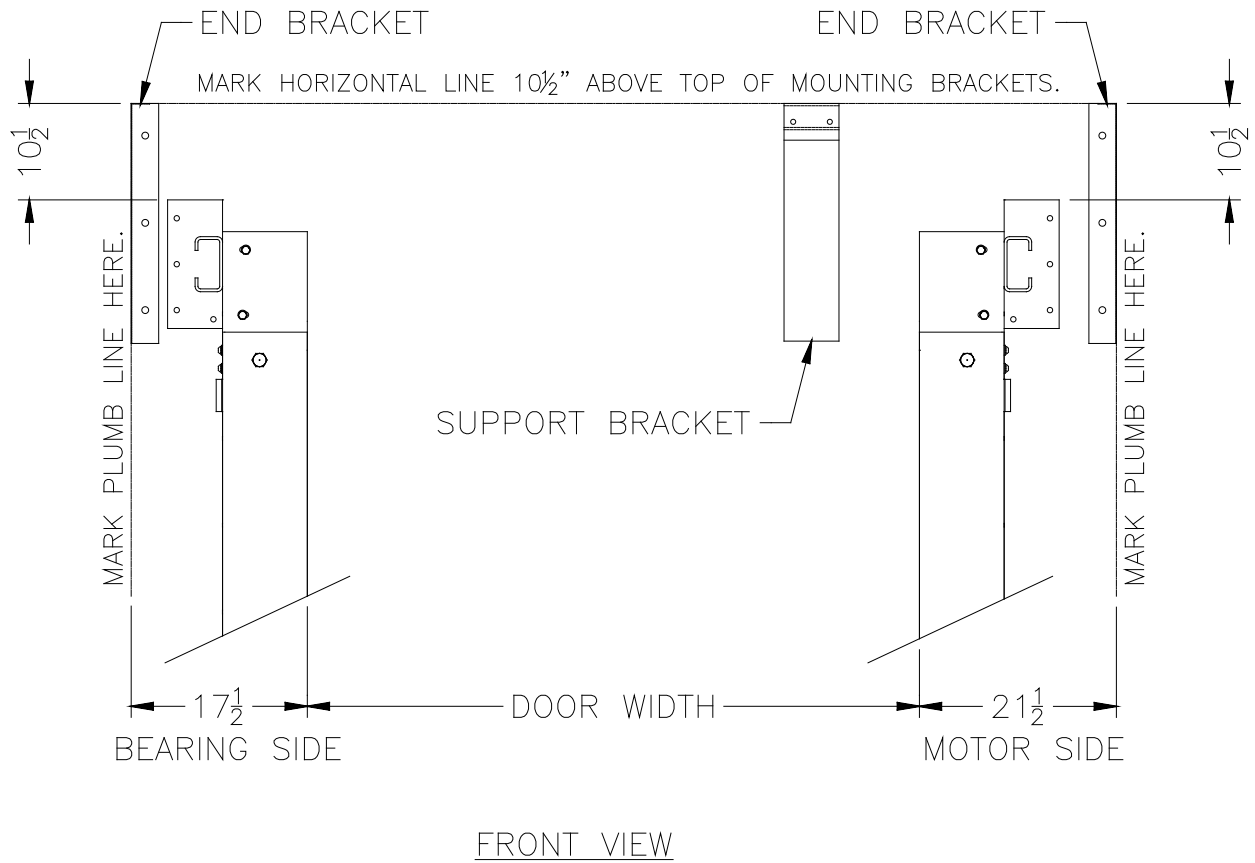
Keep this document in a safe place for future reference.



After the Speed Master door has been mechanically installed, you can begin mounting the metal hood by following the steps below.

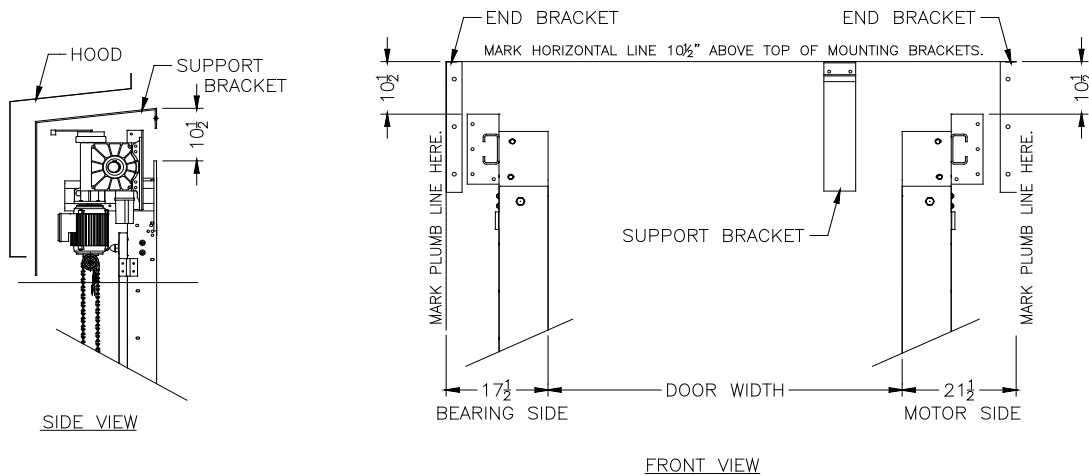
Step 1.

Mark a horizontal line 10 1/2 inches above the top of the mounting brackets and plumb lines as shown below.



Step 2.

Mount the end brackets to the wall with appropriate fasteners. Orient the end panels so that the lip of the end panels point toward the center of the hood. The outer edges of the end caps should line up with the outside lines created in Step 1. The top of the end brackets should line up with the horizontal line created in Step 1.



Step 3.

Mount the hood support brackets to the wall with appropriate fasteners. The hood support brackets are made from 1/4 inch thick steel. Mount hood support brackets centered under each seam where the sections meet. See drawing above. The top of the support brackets should line up with the horizontal line created in Step 1.

Step 4.

Attach hood panels to support brackets using tek screws.

Step 5.

Attach end panels to each end of the hood using tek screws.

NOTES

Everything you've wanted in a high performance door, and more.



German Engineered, American Made

Our promise to you.

As one of the world's leading manufacturers of doors, we're committed to providing the best quality, value, and selection. Whether, industrial or commercial, whether it's a high performance door or loading dock equipment,

we have the door or dock product you're looking for. The Hörmann Flexon product line gives you the ability to accommodate any door or dock application with the right product from one manufacturer.



Hörmann Flexon LLC, Leetsdale, PA
Headquarters and Manufacturing Plant



High Performance Doors and Dock Equipment

For assistance call 1-800-365-3667

Environmental commitment has been part of our corporate culture for decades, from our manufacturing processes to the products we make.



In everything we do, we strive to minimize energy and resource use, through efficient processes, long-lasting quality and innovative engineering.

