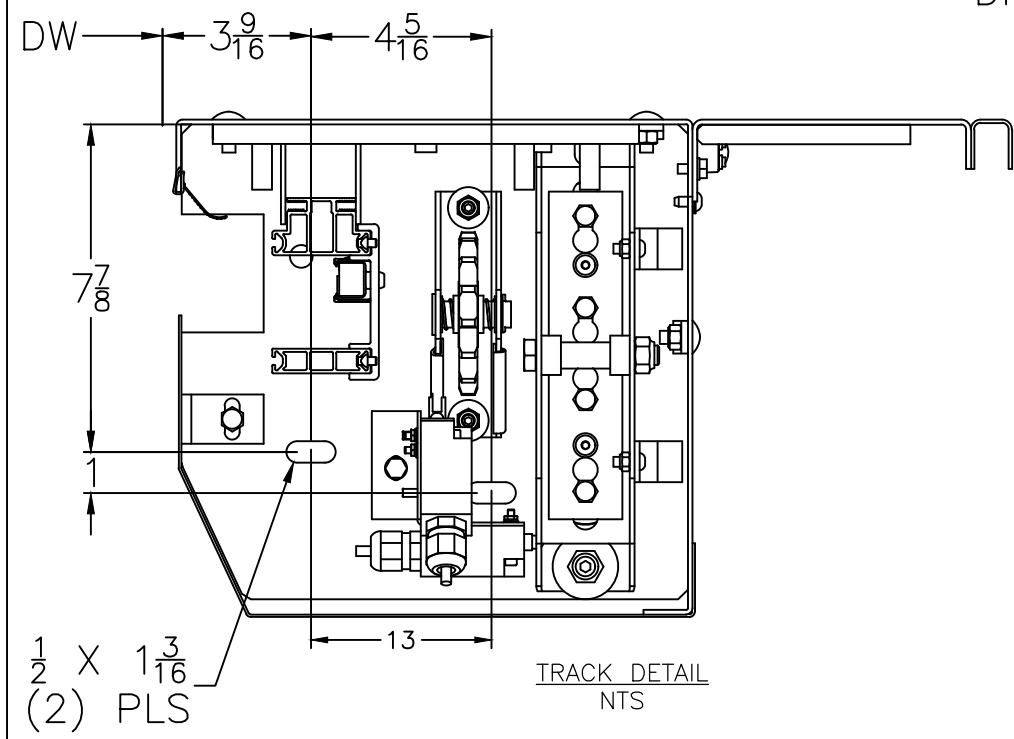
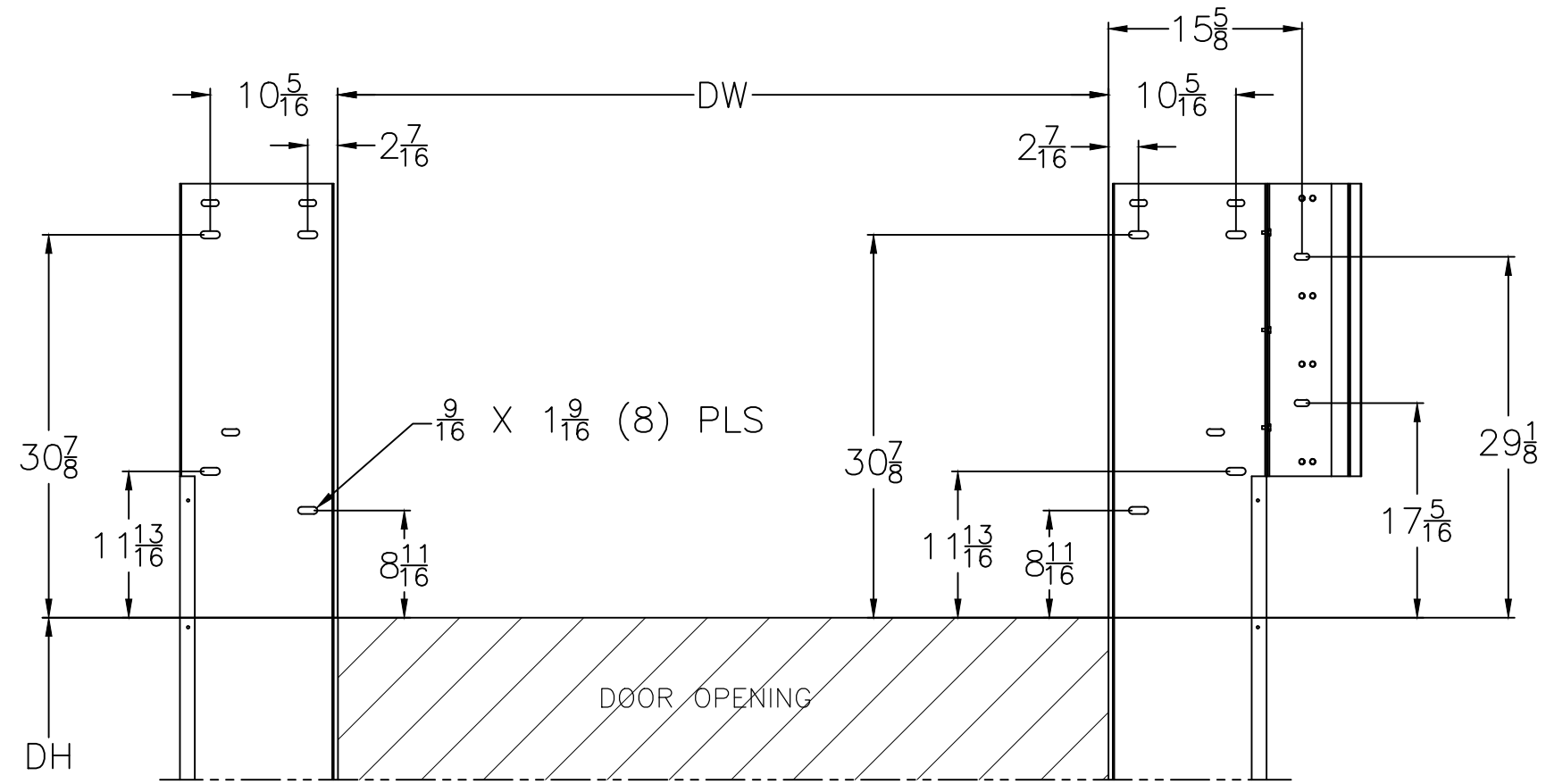



MODEL: SPEED GUARDIAN 5000 U  
 CUSTOMER: -  
 ADDRESS: -  
 CITY & STATE: -  
 JOB: -  
 LOCATION: -  
 COMPANY: -

MATERIAL  
 -

SIZE: DW=                      DH=  
 MOTOR LOCATION:      RIGHT      LEFT  
 CONTROL BOX LOCATION:      RIGHT      LEFT  
 VOLTAGE:                      200-240V      360-480V  
 WIRING:                      HARD WIRED      SMART START   
 VISION AREA:  
 # OF VISION PANELS:      -      STARTING AT      -"  
 # OF PERFORATED PANELS:      -      STARTING AT      -"  
 OPTIONS:  
 3 BUTTON PUSH STATION      -  
 INDUCTION LOOP      -  
 MOTION DETECTOR      -  
 NOTES:



NOTES:  
 1. ALL DIMENSIONS ARE IN INCHES.  
 2. ONLY MOUNTING HOLES ARE DIMENSIONED.

GENERAL TOLERANCES ACC. TO DIN ISO 2768-mK PLASTIC MOLDED PARTS ACC. TO DIN 16901-130 GEOMETRICAL TOLERANCES ACC. TO DIN ISO 1101				 <b>HÖRMANN FLEXON LLC</b> STARPOINTE BUSINESS PARK 117 STARPOINTE BOULEVARD BURGETTSTOWN, PA 15021-9506 PH: 724.385.9150      FAX: 724.385.9151 www.hormann-flexon.com	
REV.	DESCRIPTION	DATE	BY	TITLE: MOUNTING HOLE LOCATIONS	
-	-	-	-	MODEL: SG 5000 U 42	PART #: -
-	-	-	-	DRAWING #:	PAPER SIZE: ANSI "B"
-	-	-	-	PAGE: 1 OF 1	SCALE: N/A
-	-	-	-	QTY: -	ENGINEER: GJB      DRAWN: 11/28/2016

WE RESERVE THE RIGHT TO CHANGE SPECIFICATIONS WITHOUT NOTICE