

# HDL-DD

## Heavy Duty Large Doors

**DIRECT DRIVE SPRINGLESS**



TNR® combines rugged durability with high performance drive systems specifically for large openings. Rubber roll-up doors are built for demanding industrial and commercial applications for:

#### **HARSH ENVIRONMENTS**

dirt, dust, rain, snow, temperature

#### **HIGH TRAFFIC**

and continual process flow demands

#### **DOOR IMPACT CONCERNS**

moving lift trucks, heavy equipment

#### **HIGH WINDLOAD & PRESSURE DIFFERENTIAL**

caused by exterior wind & positive pressure work environments



***Tough 'n' Ready  
For Your Challenging  
Environments***

# HDL-DD: Direct Drive - Springless Door for Large Openings

**Applications:** Heavy manufacturing, steel, pulp & paper, waste management, oil & gas, mining and railways.

**High performance, high speed, high impact doors for your challenging environments.**

Process and Maintenance Engineers recognize the value of proven indestructibility, and endurance combined with high speed performance. A springless direct drive on these large doors provides an easy to install and low maintenance high performance door system.

## TNR® Mechanical Features

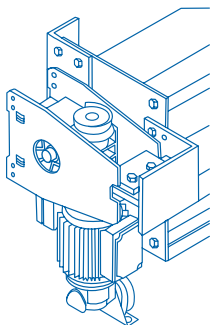
- 1/4" Black SBR rubber with polyester core weave. Flexible and resistant to abusive environments and impacts in temperatures from -40°F to 180°F.
- Patented NEWGEN® guide and Curtain Lok™ system. Reliable and consistent door operation with impact release performance. No guide gap maintenance required.
- Withstands impact. After an impact, the door is up and running in minutes.
- Knock-away double angle steel bottom bar with rubber loop and reversing edge.
- Sleek profile with easy installation, reduced clearances & minimal maintenance.
- No hinges, cables, pulleys, or tension springs.
- Self-supporting steel frame.
- Door Sizes ranges from
  - HDL23-DD - 8' x 30' up to 25' x 20'
  - HDL45-DD - 21' x 27' up to 30' x 17'
- Guide mounted thru-beam photoelectric sensor.
- Options: colours, windows, hoods, traveling windbar and MSHA-rated self-extinguishing curtains.

## TNR® Drive Features

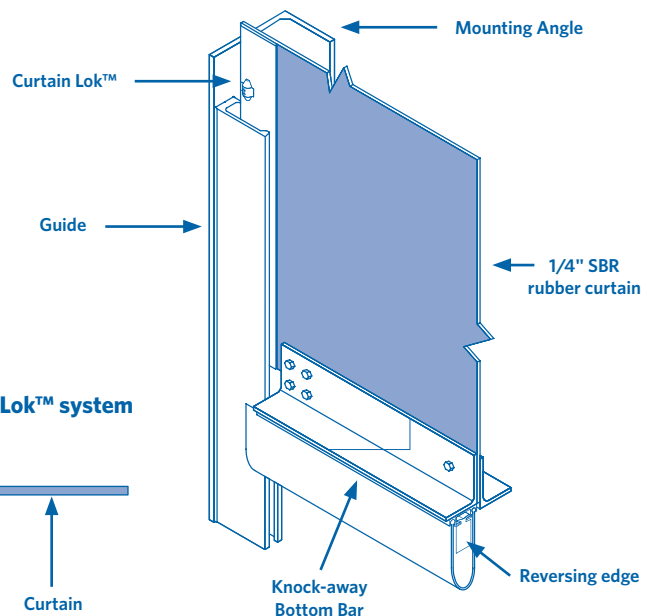
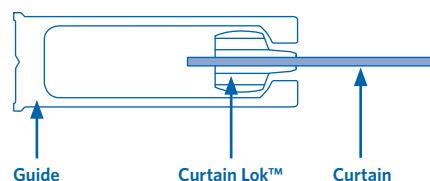
- Direct Drive Operator:
  - Heavy duty electric motor
  - Includes gearbox with hollow shaft
  - Integrated safety brake
- Options: access controls and specialty functions.

Standard Features	
O/C Speed, HDL23-DD - inches/second (up to)	48/30
O/C Speed, HDL45-DD - inches/second (up to)	24/24
Direct Drive—Heavy Duty Worm Gear Head Operator	●
Type of curtain—1/4" Black SBR rubber with polyester core weave	●
Reversing edge—Pressure sensitive wireless edge	●
Control panel—Integrated logic board with extensive pre-sets, diagnostics and fast startup. NEMA 4 enclosure.	●
Integrated Variable Frequency Drive—high efficiency electronic drive with soft start / soft stop for fast smooth operation.	●
Activation—Remotes, pull cords, loop detectors	●
Self Supporting Steel Frame—Steel Mounting Angle	●
Warranty—Limited lifetime on curtain and NEWGEN Guide. Five years or 1,000,000 cycles on operators with frequency drive. Two years on parts and workmanship.	●

**Heavy Duty Direct Drive Operator**



**NEWGEN® Guide and Curtain Lok™ system**



Toll-free 1-866-792-9968 Fax 1-705-735-9564 info@tnrdoors.com TNRdoors.com

